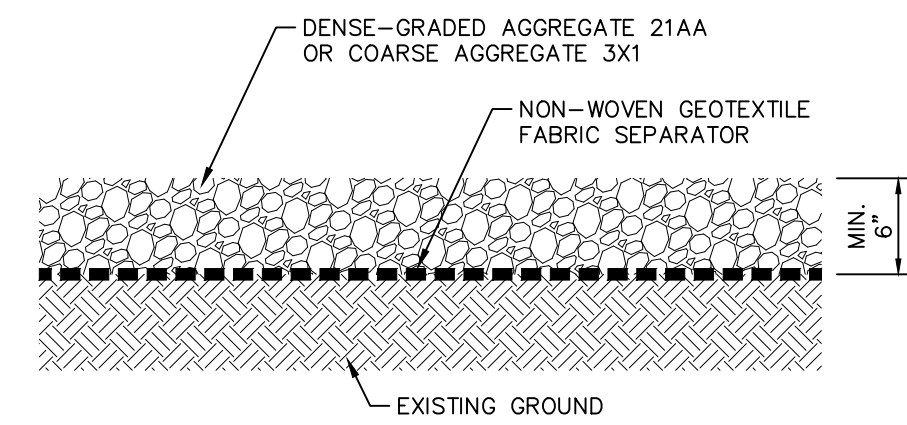
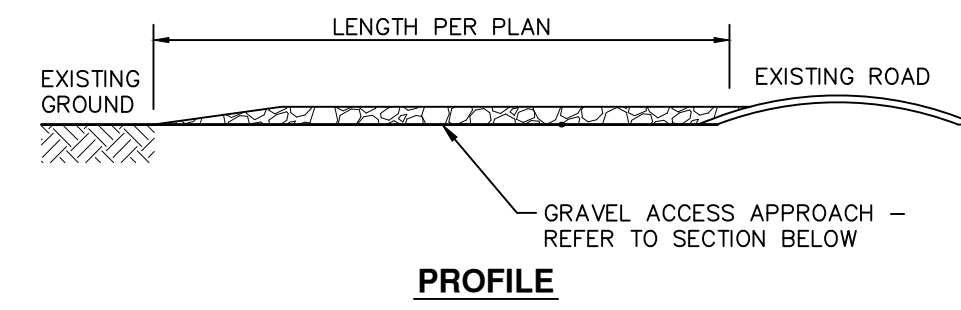
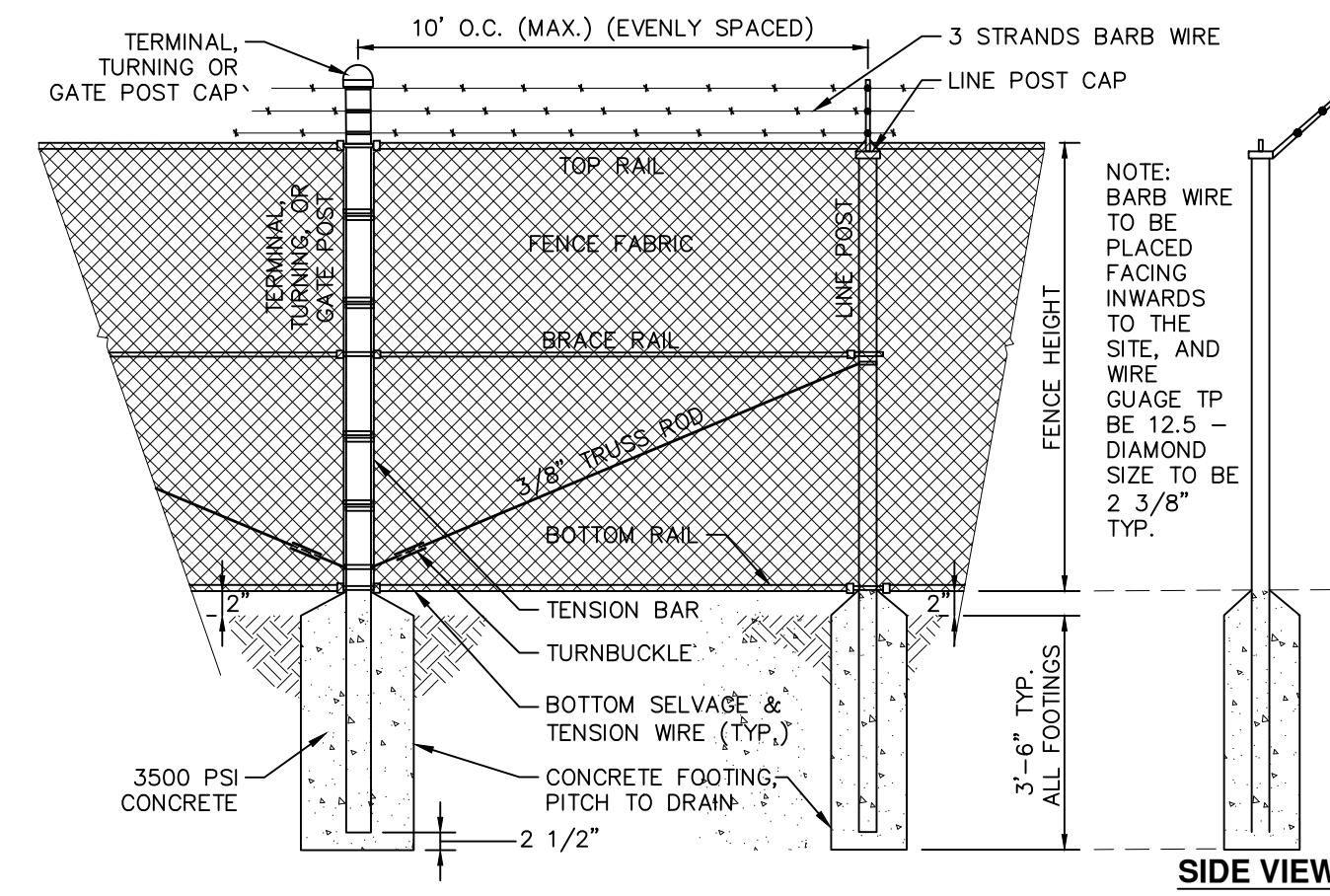


BIKE RACK - HOOP
NOT TO SCALE



GRAVEL ACCESS APPROACH
NOT TO SCALE

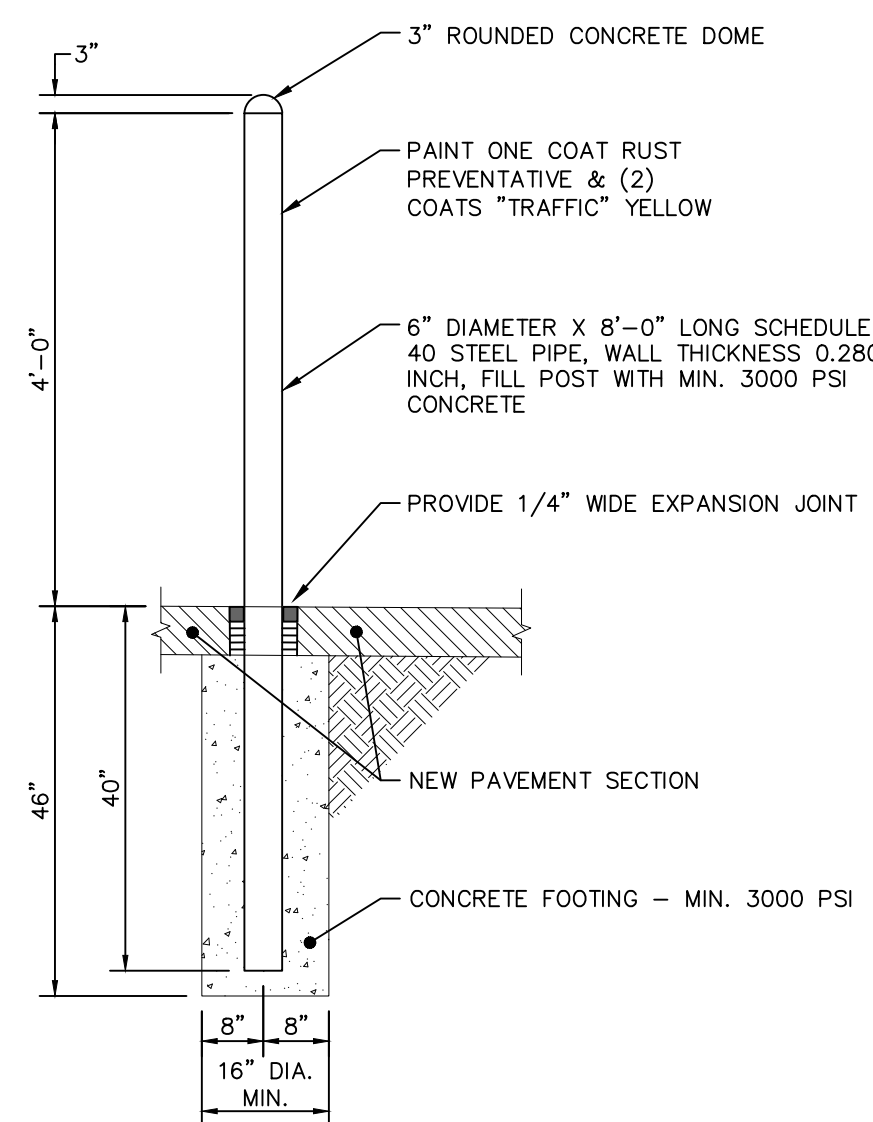
INSTALL AT CONSTRUCTION VEHICLE ENTRANCE/EXIT AS SPECIFIED PER PLAN. MINIMUM 12' WIDE OR TO MATCH HAUL ROUTE.



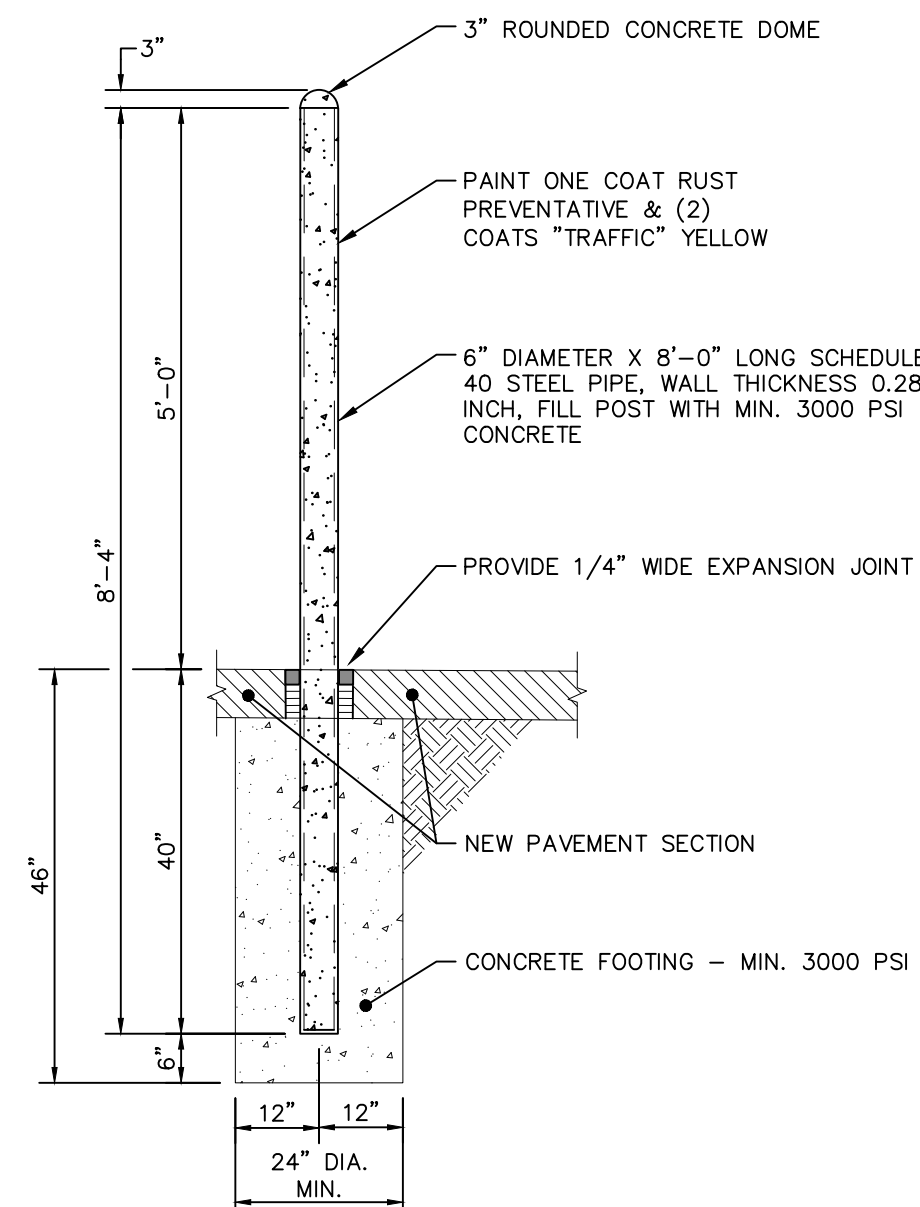
FENCE HEIGHT / SIZE REFERENCE CHART

	4' FENCE	6' FENCE	8' FENCE	12' FENCE
NOMINAL PIPE SIZES (HEIGHT)				
TERMINAL, TURNING, OR GATE POST	1 1/2" (2.72#/LF)	2 1/2" (5.79#/LF)	3 1/2" (9.11#/LF)	3 1/2" (9.11#/LF)
LINE POST	1 1/4" (2.27#/LF)	2" (3.65#/LF)	2" (3.65#/LF)	2" (3.65#/LF)
TOP RAIL	1" (1.68#/LF)	1 1/4" (2.27#/LF)	1 1/4" (2.27#/LF)	1 1/4" (2.27#/LF)
MIDDLE RAIL	NONE	NONE	1 1/4" (2.27#/LF)	1 1/4" (2.27#/LF)
BOTTOM RAIL	NONE	1 1/4" (2.27#/LF)	1 1/4" (2.27#/LF)	1 1/4" (2.27#/LF)
BRACE RAIL	1" (1.68#/LF)	1 1/4" (2.27#/LF)	1 1/4" (2.27#/LF)	1 1/4" (2.27#/LF)
FOOTING DIAMETERS				
TERMINAL, TURNING, OR GATE POST	12"	18"	18"	18"
LINE POST	9"	12"	12"	12"

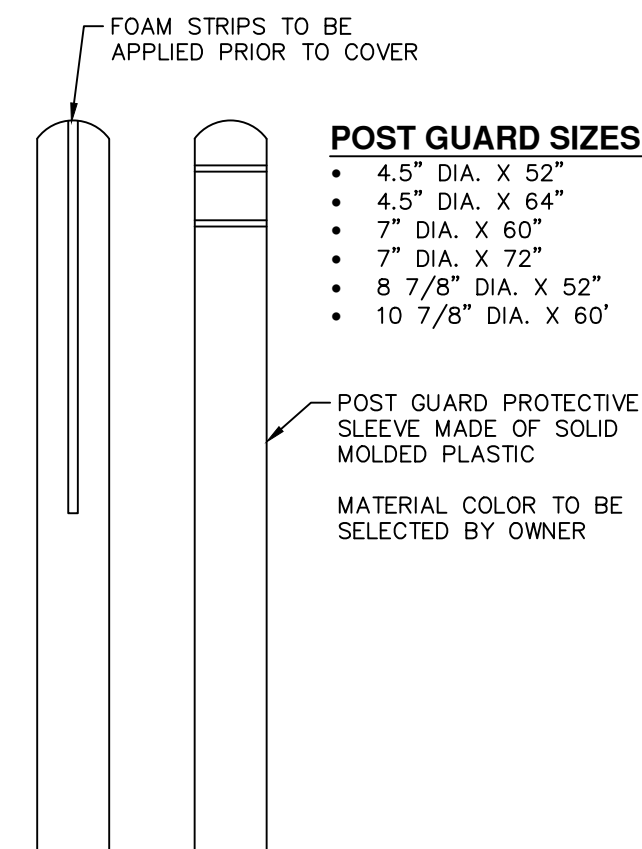
CHAIN LINK FENCE
NOT TO SCALE



STANDARD BOLLARD
NOT TO SCALE



INDUSTRIAL BOLLARD
NOT TO SCALE



BOLLARD COVER
NOT TO SCALE

- POST GUARD SIZES:**
- 4.5" DIA. X 52"
 - 4.5" DIA. X 64"
 - 7" DIA. X 60"
 - 7" DIA. X 72"
 - 8 7/8" DIA. X 52"
 - 10 7/8" DIA. X 60"

ISSUED FOR:	
REV:	
DATE:	

CITY OF HIGHLAND PARK
STANDARD SITE WORK DETAILS AND NOTES
SITE WORK-1



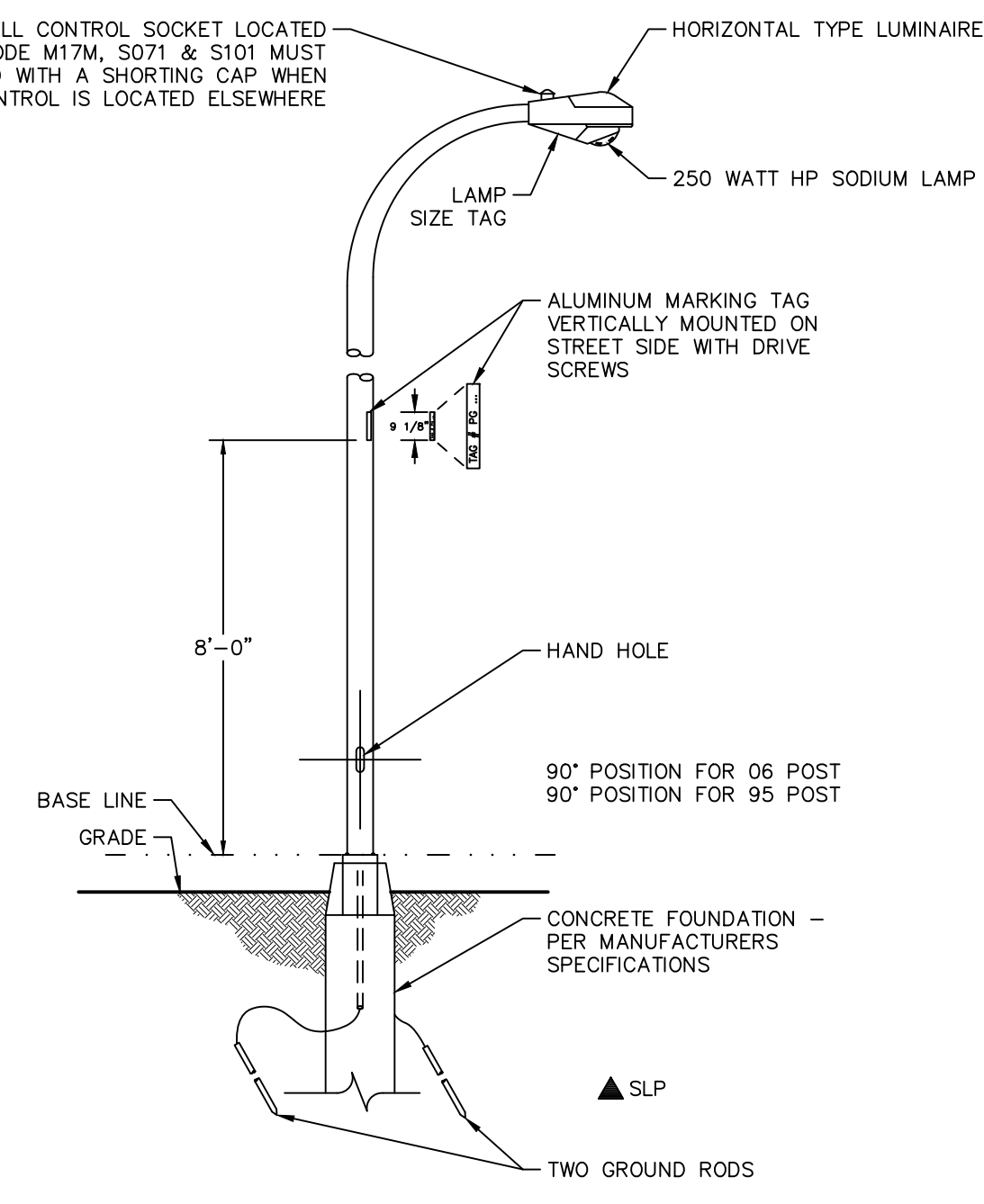
MCA JOB #: 1039-18-8756
DATE: 06.19.2023
SCALE: AS SHOWN PER DETAIL
DRAWN BY:
Metro Consulting Associates
DYNAMIC DESIGN. DIVERSE. DIFFERENT.
COUNTY: WAYNE
SHEET: **SW1**

CONSTRUCTION SITE SAFETY IS THE RESPONSIBILITY OF THE CONTRACTOR. NEITHER THE OWNER NOR THE ENGINEER SHALL BE EXPECTED TO ASSUME ANY RESPONSIBILITY FOR SAFETY OF THE WORK, OF PERSONS ENGAGED IN THE WORK, OF ANY NEARBY STRUCTURES, OR OF ANY OTHER PERSONS.

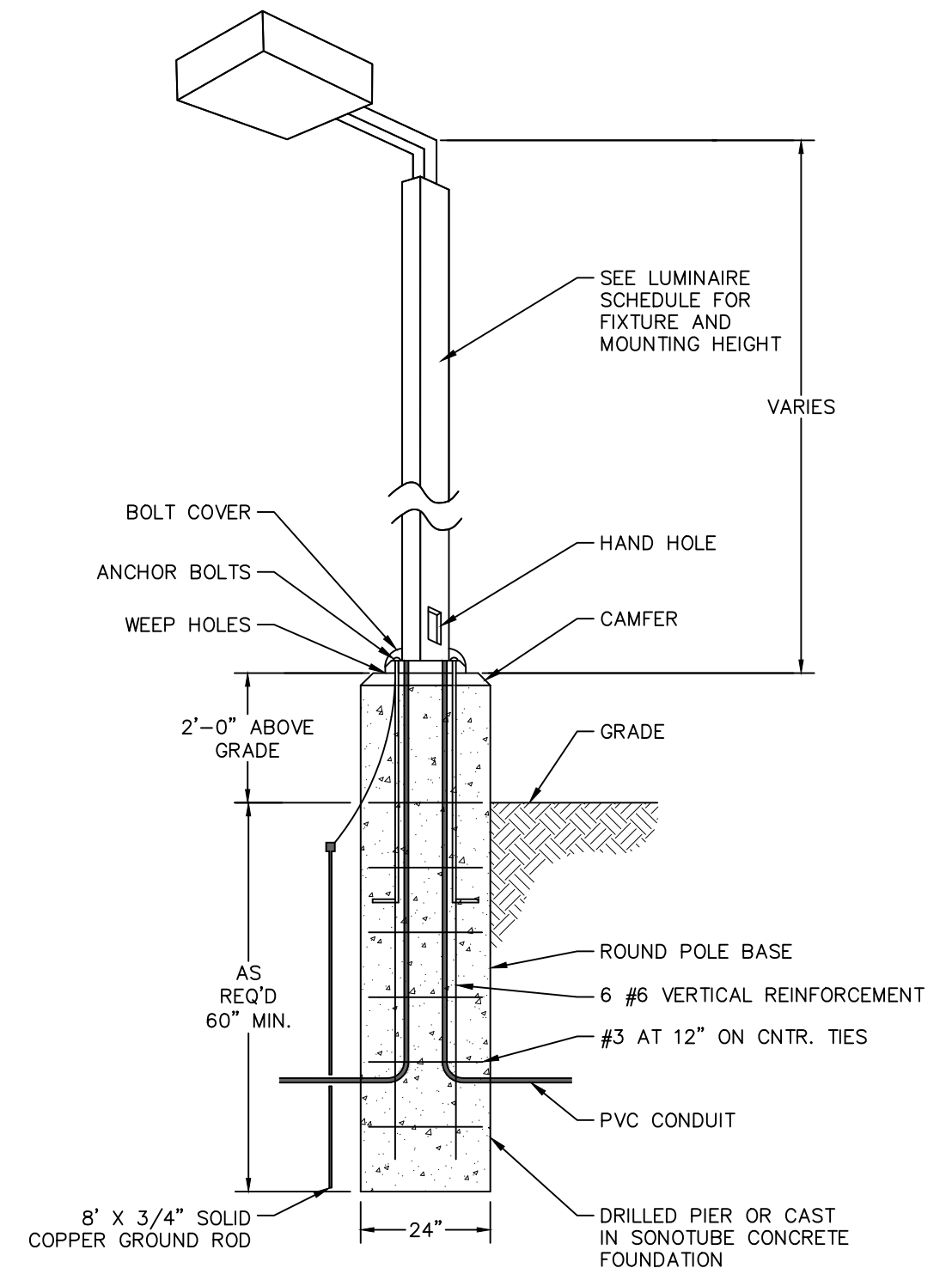
THE LOCATIONS OF EXISTING UNDERGROUND UTILITIES ARE SHOWN IN AN APPROXIMATE WAY ONLY AND HAVE NOT BEEN INDEPENDENTLY VERIFIED. THE CONTRACTOR SHALL DETERMINE THE EXACT LOCATION OF ALL EXISTING UTILITIES BEFORE COMMENCING WORK, AND AGREES TO BE FULLY RESPONSIBLE FOR ANY AND ALL DAMAGES WHICH MIGHT BE OCCASIONED BY THE CONTRACTOR'S FAILURE TO EXACTLY LOCATE AND PRESERVE ANY AND ALL UNDERGROUND UTILITIES.



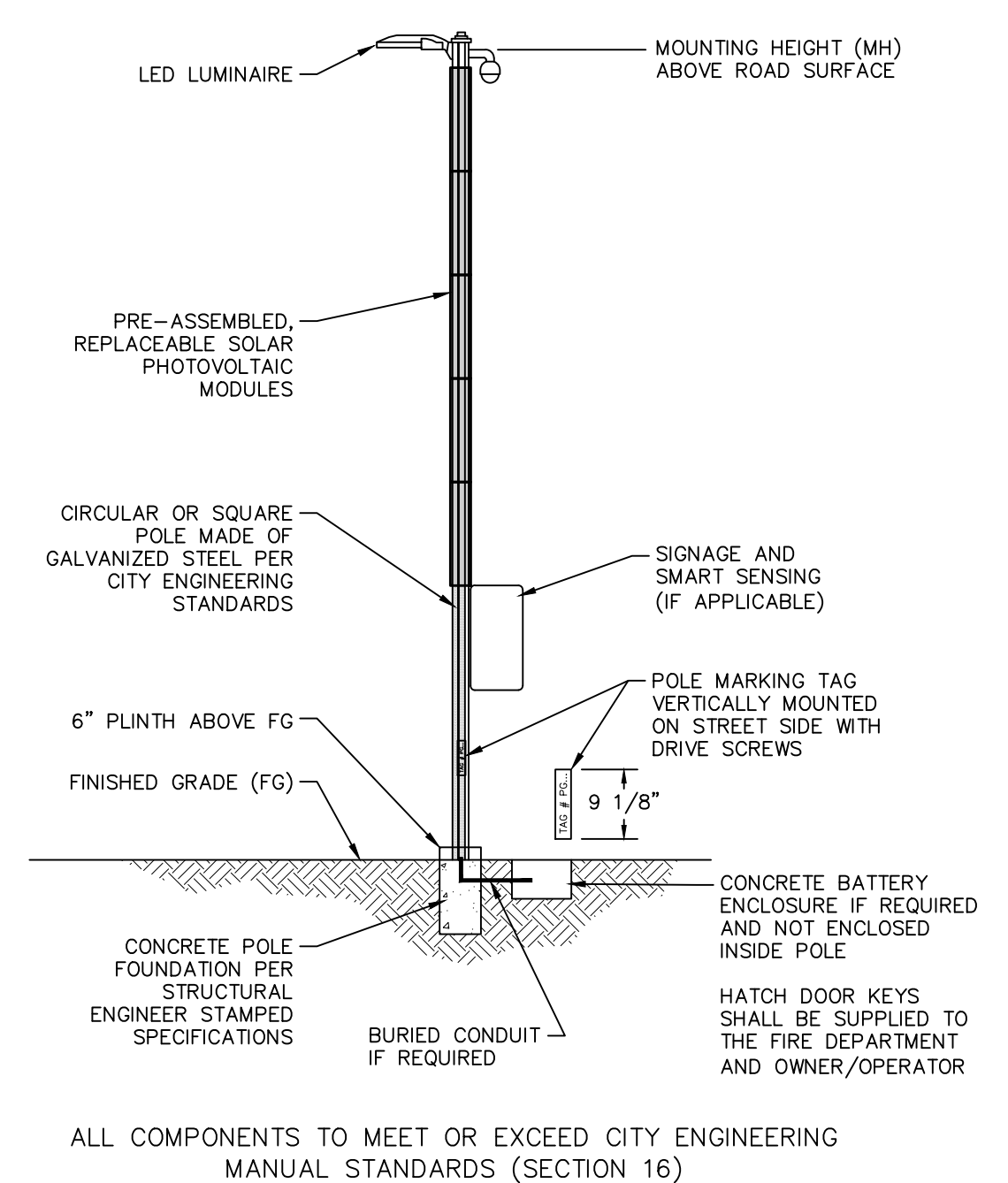
PHOTOCELL CONTROL SOCKET LOCATED HERE ON CODE M17M, S071 & S101 MUST BE COVERED WITH A SHORTING CAP WHEN CONTROL IS LOCATED ELSEWHERE



STREET LIGHT DETAIL
NOT TO SCALE



LIGHT POST DETAIL
NOT TO SCALE



SOLAR STREETLIGHT (OFF GRID)
NOT TO SCALE

SOLAR STREETLIGHT (OFF-GRID) TABLE

LOCATION	MOUNTING HEIGHT (MH)	LIGHT POWER	ILLUMINANCE LUX (fc)	BASE DETAIL (Site Work 2)
PARKING LOTS	24 FEET	45 W CONTINUOUS (MINIMUM)	5 (0.5)	LIGHT POST
RESIDENTIAL ROADS	24 FEET	45 W CONTINUOUS (MINIMUM)	5 (0.5)	STREET LIGHT
PARKS	18 FEET	27 W CONTINUOUS (MINIMUM)	5 (0.5)	STREET LIGHT

NOTES:

- SOLAR STREETLIGHT POLES MUST BE EITHER STEEL OR ALUMINUM, WITH ANY SURFACES AND MATERIALS THAT ARE SUBJECT TO CORROSION COATED OR PAINTED TO EXTEND THE LIFE OF THE POLE.
- SOLAR STREETLIGHT POLES MUST BE CIRCULAR OR SQUARE IN CROSS SECTION, WITH DISTINCT REPLACEABLE UNITS OF SOLAR PHOTOVOLTAIC CELLS THAT ARE MOUNTED FIRMLY ON THE UPPER PORTION OF THE POLE ("WRAPPED" ON THE VERTICAL PORTION OF THE POLE).
- IF INSTALLED IN THE PUBLIC RIGHT-OF-WAY, SOLAR STREETLIGHT POLE INSTALLATION SHOULD GENERALLY BE:
 - INSTALLED BETWEEN BACK OF CURB (OR EDGE OF PAVED ROAD) AND THE SIDEWALK.
 - WHEN POSSIBLE, INSTALLED ON OR NEAR THE PROPERTY LINE BETWEEN RESIDENTIAL LOTS.
 - SEPARATED FROM ANY OTHER STREETLIGHT OR SOLAR STREETLIGHT ALONG A ROAD BY 2.5 TO 4.5 MOUNTING HEIGHT LENGTHS.
 - HOWEVER, THE PLACEMENT OF POLES WILL OFTEN REQUIRE ADJUSTMENTS TO AVOID CONFLICTING TREES AND ROOTS, FACILITIES, STRUCTURES, AND BURIED UTILITIES (I.E.GAS, ETC.).
- "STANDARD" SOLAR STREETLIGHT POLES DESIGNATE THOSE THAT DO NOT INCLUDE A SIGNIFICANT SUITE OF AVAILABLE ADD-ON "SMART" TECHNOLOGIES. EXAMPLES OF THESE TECHNOLOGIES INCLUDE BUT ARE NOT LIMITED TO: MOTION SENSING DIMMING, WIRELESS REMOTE MONITORING OR DATA LOGGING, INTEGRATED WIFI HOTSPOT, OR INTEGRATED CELLULAR NETWORK NODES.
- "SMART" SOLAR STREETLIGHT POLES DESIGNATE THOSE WHICH DO INCLUDE ADVANCED TECHNOLOGIES AND ADDITIONAL NON-LIGHT-PRODUCING SERVICES TO THE COMMUNITY. THESE "SMART" STREETLIGHT POLES WILL BE APPROVED FOR INSTALLATION ON A CASE-BY-CASE OR PROJECT-BY-PROJECT BASIS. MOST "SMART" FEATURES RESULT IN ADDITIONAL UP-FRONT COSTS AND ADDITIONAL OPERATIONS AND MAINTENANCE COSTS. THESE TECHNOLOGIES ALSO DRAW DOWN THE ENERGY IN THE BATTERY FASTER THAN THE LUMINAIRE ALONE. HOWEVER, THE VALUE PROVIDED BY SOME "SMART" TECHNOLOGIES MAY JUSTIFY THE ADDITIONAL COSTS IN SOME LOCATIONS.

ALL COMPONENTS TO MEET OR EXCEED CITY ENGINEERING MANUAL STANDARDS (SECTION 16)

ISSUED FOR:
REV. DATE:

CITY OF HIGHLAND PARK
STANDARD SITE WORK DETAILS AND NOTES
SITE WORK-2



MCA JOB #: 1039-18-8756
DATE: 06.19.2023
SCALE: AS SHOWN PER DETAIL
DRAWN BY:
Metro Consulting Associates
DYNAMIC. DARING. DIVERSE. DIFFERENT.
COUNTY: WAYNE
SHEET: **SW2**

CONSTRUCTION SITE SAFETY IS THE RESPONSIBILITY OF THE CONTRACTOR. NEITHER THE OWNER NOR THE ENGINEER SHALL BE EXPECTED TO ASSUME ANY RESPONSIBILITY FOR SAFETY OF THE WORK, OF PERSONS ENGAGED IN THE WORK, OF ANY NEARBY STRUCTURES, OR OF ANY OTHER PERSONS.

THE LOCATIONS OF EXISTING UNDERGROUND UTILITIES ARE SHOWN IN AN APPROXIMATE WAY ONLY AND HAVE NOT BEEN INDEPENDENTLY VERIFIED. THE CONTRACTOR SHALL DETERMINE THE EXACT LOCATION OF ALL EXISTING UTILITIES BEFORE COMMENCING WORK, AND AGREES TO BE FULLY RESPONSIBLE FOR ANY AND ALL DAMAGES WHICH MIGHT BE OCCASIONED BY THE CONTRACTOR'S FAILURE TO EXACTLY LOCATE AND PRESERVE ANY AND ALL UNDERGROUND UTILITIES.

