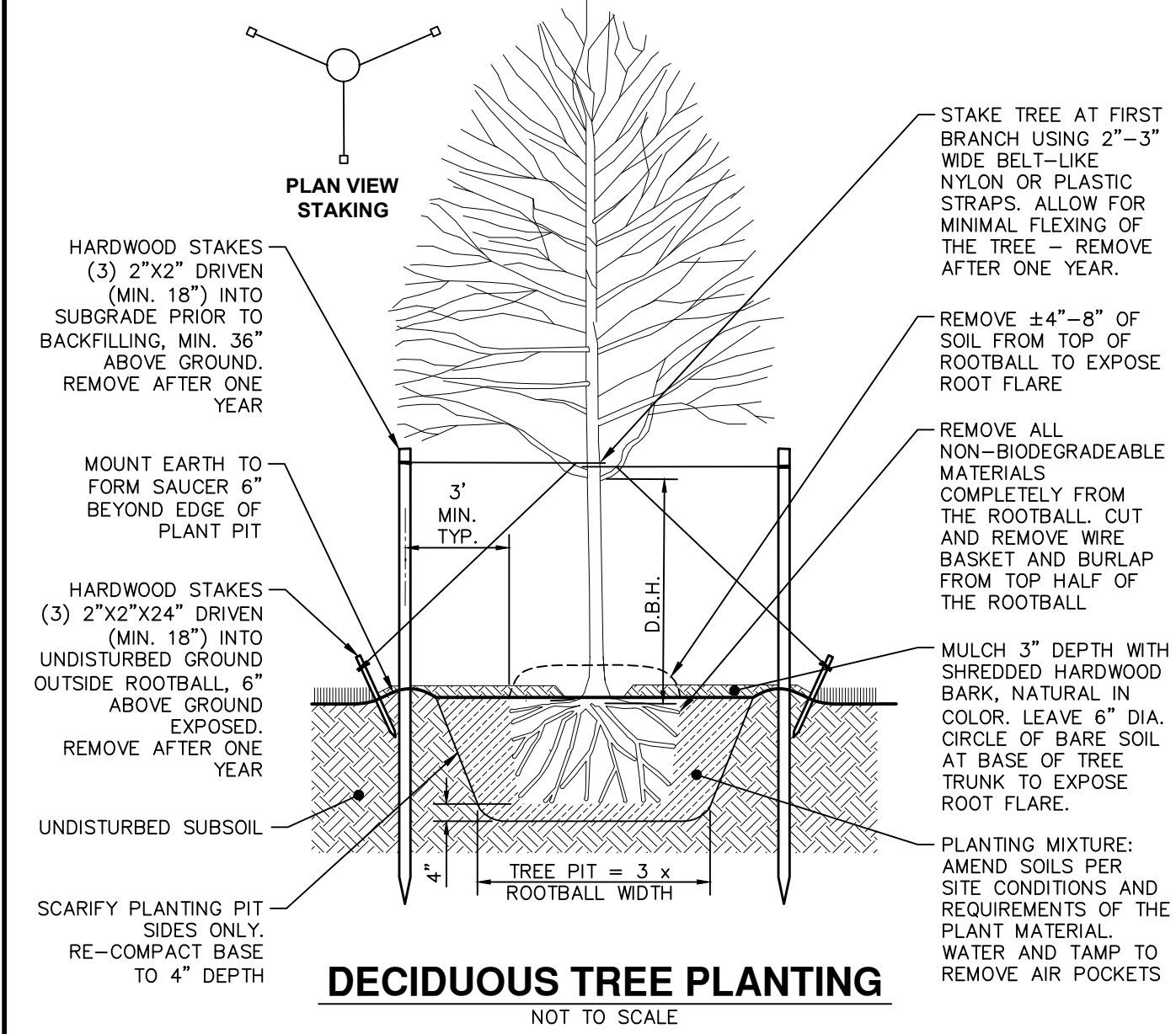


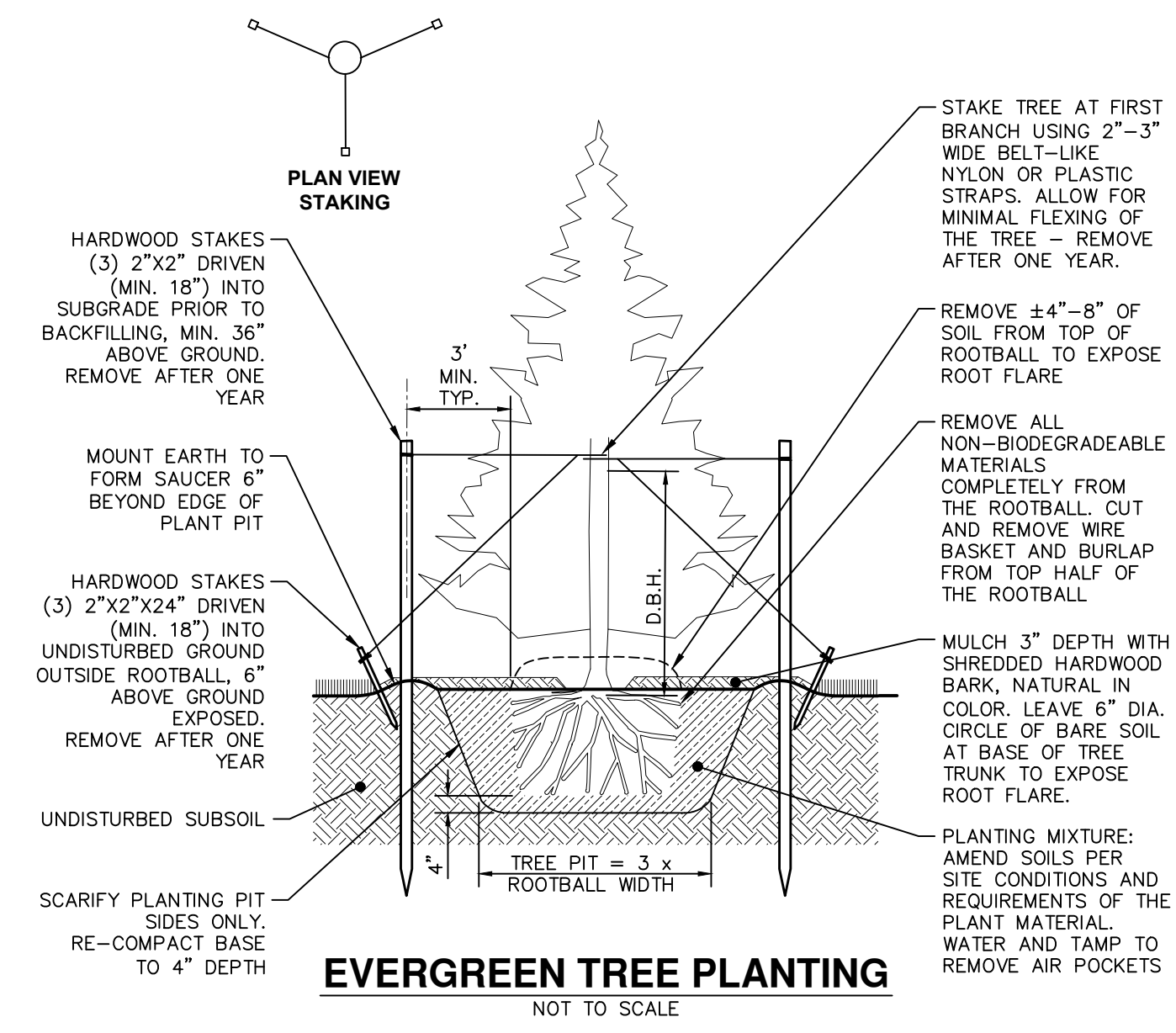
NOTES:

- TREE SHALL BEAR SAME RELATION TO FINISH GRADE AS IT BORE ORIGINALLY OR SLIGHT HIGHER THAN FINISH GRADE UP TO 6" ABOVE GRADE, IF DIRECTED BY LANDSCAPE ARCHITECT FOR HEAVY CLAY SOIL AREAS.
- PLANT TREE SO THAT TOP OF ROOT FLARE IS EVEN WITH FINISH GRADE.
- REMOVE ROOT BALL DIRT TO EXPOSE ROOT FLARE, IF NECESSARY, AND CUT ANY GIRDLING ROOTS.
- DO NOT PRUNE TERMINAL LEADER. PRUNE ONLY DEAD OR BROKEN BRANCHES.
- REMOVE ALL TAGS, STRING, PLASTICS AND OTHER MATERIALS THAT ARE UNSIGHTLY OR COULD CAUSE GIRDLING.
- GUY DECIDUOUS TREES ABOVE 3" CAL.; STAKE DECIDUOUS TREES BELOW 3" CAL.



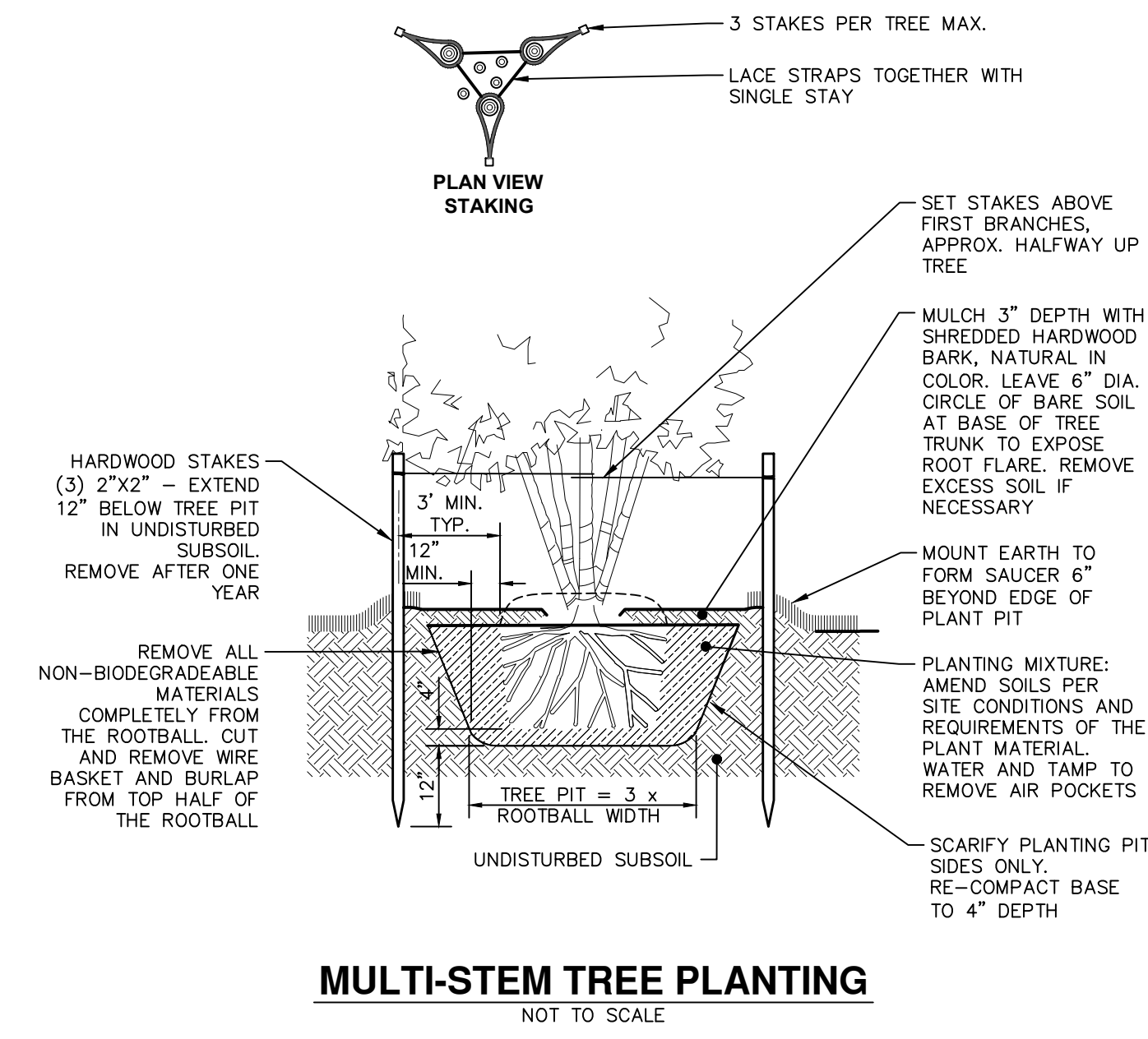
NOTES:

- TREE SHALL BEAR SAME RELATION TO FINISH GRADE AS IT BORE ORIGINALLY OR SLIGHT HIGHER THAN FINISH GRADE UP TO 6" ABOVE GRADE, IF DIRECTED BY LANDSCAPE ARCHITECT FOR HEAVY CLAY SOIL AREAS.
- PLANT TREE SO THAT TOP OF ROOT FLARE IS EVEN WITH FINISH GRADE.
- REMOVE ROOT BALL DIRT TO EXPOSE ROOT FLARE, IF NECESSARY, AND CUT ANY GIRDLING ROOTS.
- DO NOT PRUNE TERMINAL LEADER. PRUNE ONLY DEAD OR BROKEN BRANCHES.
- REMOVE ALL TAGS, STRING, PLASTICS AND OTHER MATERIALS THAT ARE UNSIGHTLY OR COULD CAUSE GIRDLING.
- GUY EVERGREEN TREES ABOVE 12' HT.; STAKE EVERGREEN TREES BELOW 12' HT.



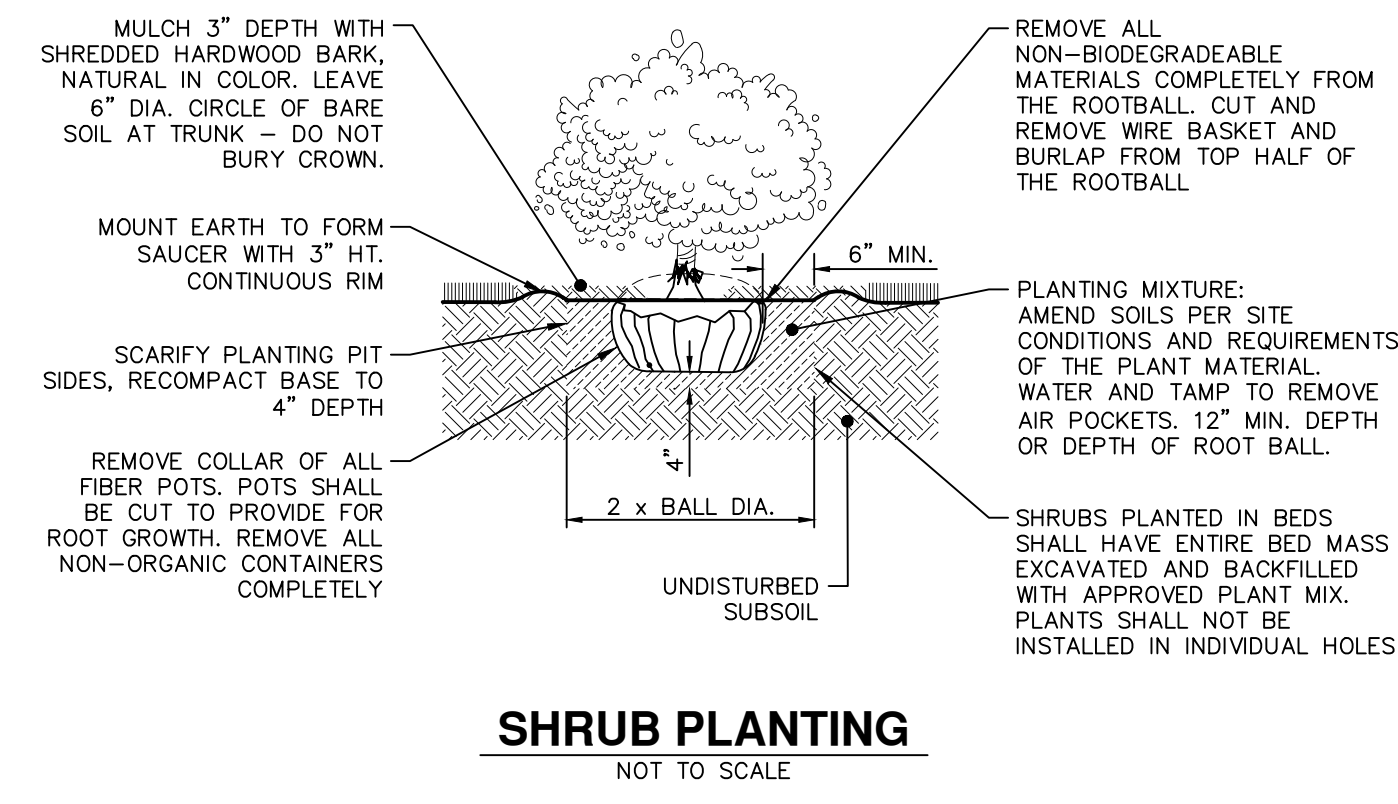
NOTES:

- PLANT TREE SO THAT TOP OF ROOT FLARE IS EVEN WITH FINISH GRADE.
- REMOVE ROOT BALL DIRT TO EXPOSE ROOT FLARE, IF NECESSARY, AND CUT ANY GIRDLING ROOTS.
- PRUNE TO REMOVE BROKEN AND DAMAGED BRANCHES, PRUNE OUT CROSS BRANCHES INSIDE TREE.
- REMOVE ALL TAGS, STRING, PLASTICS AND OTHER MATERIALS THAT ARE UNSIGHTLY OR COULD CAUSE GIRDLING.
- STAKE 3 LARGEST STEMS, IF TREE HAS MORE THAN 3 LEADERS. SET TREE STAKES VERTICAL AND AT THE SAME HEIGHT.

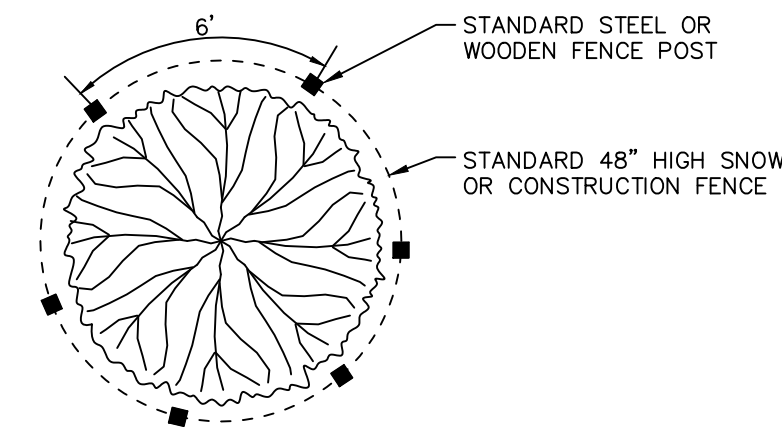


NOTES:

- SHRUB SHALL BEAR SAME RELATION TO FINISH GRADE AS IT BORE ORIGINALLY OR SLIGHT HIGHER THAN FINISH GRADE UP TO 4" ABOVE GRADE, IF DIRECTED BY LANDSCAPE ARCHITECT FOR HEAVY CLAY SOIL AREAS.
- PLANT SHRUB SO THAT TOP OF ROOT FLARE IS EVEN WITH FINISH GRADE.
- REMOVE ROOT BALL DIRT TO EXPOSE ROOT FLARE, IF NECESSARY, AND CUT ANY GIRDLING ROOTS.
- PRUNE BRANCHES TO THIN OR MATCH, RETAIN NORMAL PLANT SHAPE. PRUNE DEAD BRANCHES.
- REMOVE ALL TAGS, STRING, PLASTICS AND OTHER MATERIALS THAT ARE UNSIGHTLY OR COULD CAUSE GIRDLING.



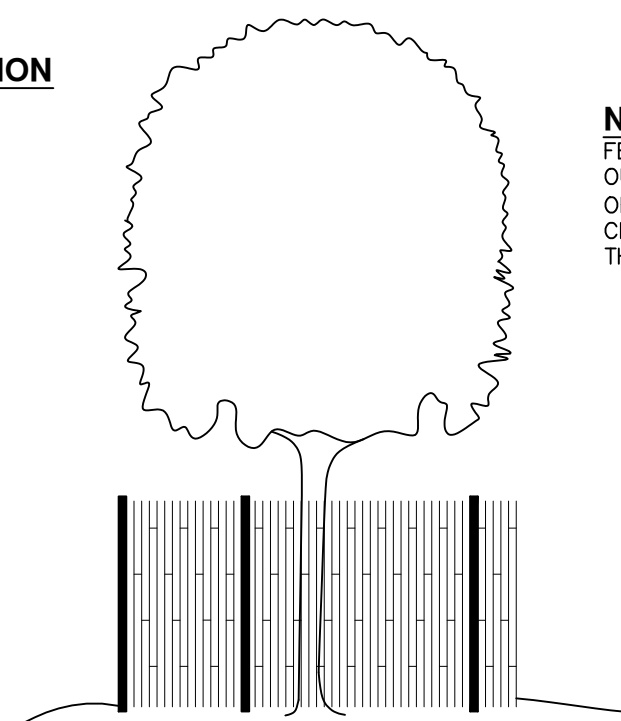
PLAN



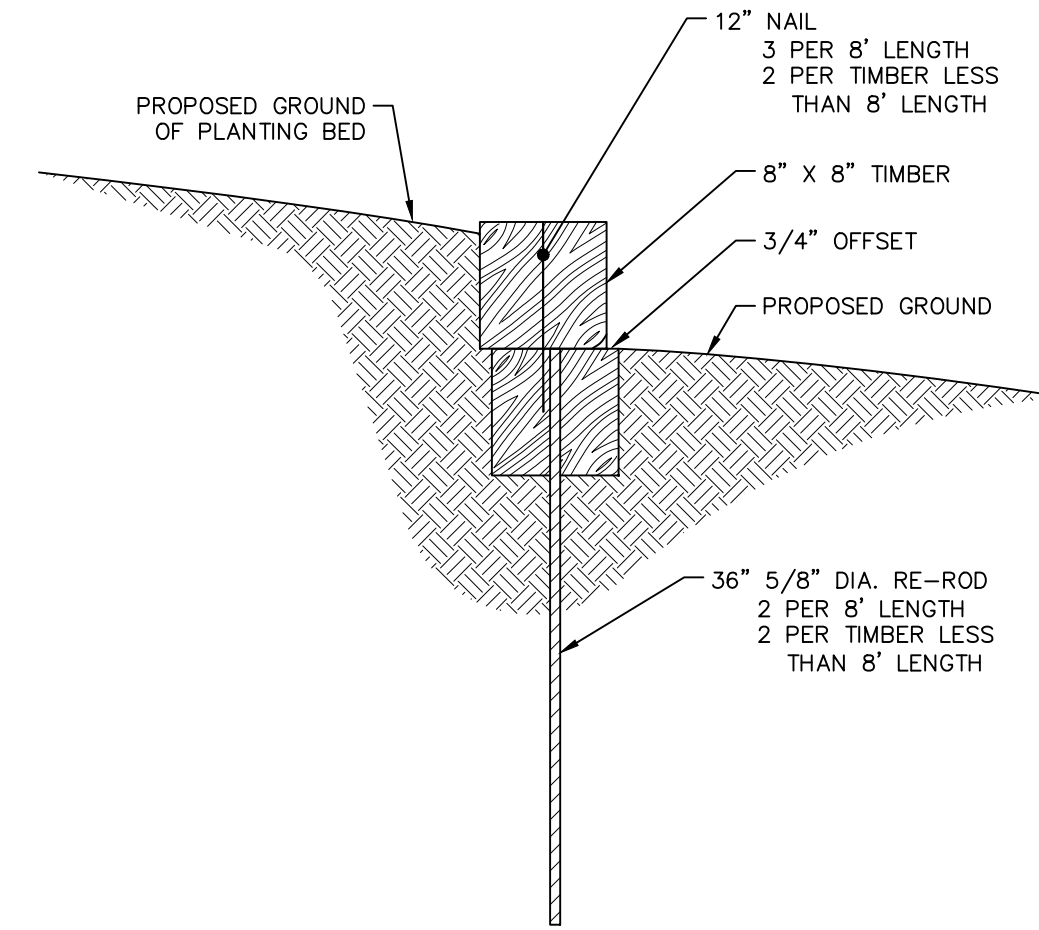
TREE PROTECTION NOTES:

- ALL TREES TO BE REMOVED WILL BE IDENTIFIED BY RED FLAGGING.
- TREE PROTECTION FENCING IS TO BE ERECTED PRIOR TO ANY EARTHWORK OR CONSTRUCTION AND IS TO REMAIN IN PLACE UNTIL CONSTRUCTION IS COMPLETE.
- ALL DEBRIS, FILL, EQUIPMENT OR MATERIAL IS TO BE KEPT CLEAR OF AREA WITHIN PROTECTIVE FENCE. NO CLEANING OF EQUIPMENT, OR MATERIAL OR STORAGE OR DISPOSAL OF ANY MATERIAL WITHIN THE DRIP LINE OF ANY TREES TO BE SAVED.

ELEVATION



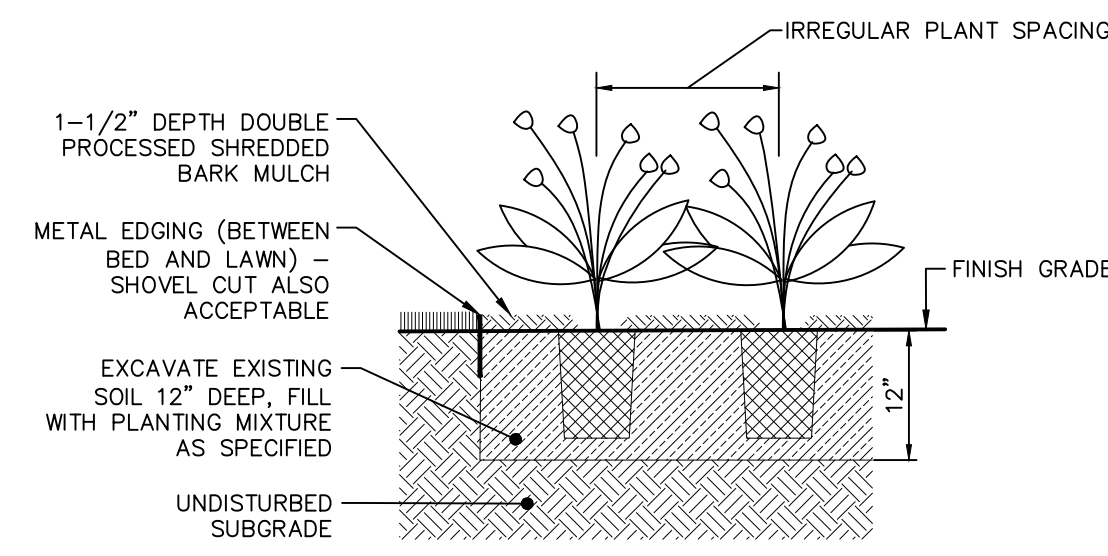
TREE PROTECTION FENCING
NOT TO SCALE



TIMBER LANDSCAPE EDGING
NOT TO SCALE

NOTES:

- REMOVE ALL FIBER, PLASTIC OR METAL CONTAINERS



PERENNIAL PLANTING
NOT TO SCALE

CONSTRUCTION SITE SAFETY IS THE RESPONSIBILITY OF THE CONTRACTOR. NEITHER THE OWNER NOR THE ENGINEER SHALL BE EXPECTED TO ASSUME ANY RESPONSIBILITY FOR SAFETY OF THE WORK, OF PERSONS ENGAGED IN THE WORK, OF ANY NEARBY STRUCTURES, OR OF ANY OTHER PERSONS.

THE LOCATIONS OF EXISTING UNDERGROUND UTILITIES ARE SHOWN IN AN APPROXIMATE WAY ONLY AND HAVE NOT BEEN INDEPENDENTLY VERIFIED. THE CONTRACTOR SHALL DETERMINE THE EXACT LOCATION OF ALL EXISTING UTILITIES BEFORE COMMENCING WORK, AND AGREES TO BE FULLY RESPONSIBLE FOR ANY AND ALL DAMAGES WHICH MIGHT BE OCCASIONED BY THE CONTRACTOR'S FAILURE TO EXACTLY LOCATE AND PRESERVE ANY AND ALL UNDERGROUND UTILITIES.



COPYRIGHT © 2018 METRO CONSULTING ASSOCIATES; ALL RIGHTS RESERVED.

ISSUED FOR:	
DATE:	
REV:	

CITY OF HIGHLAND PARK
STANDARD LANDSCAPING DETAILS AND NOTES
LANDSCAPING-1



MCA JOB #:	1039-18-8756
DATE:	06.19.2023
SCALE:	AS SHOWN PER DETAIL
DRAWN BY:	Metro Consulting Associates Dynamic. Daring. Diverse. Different.
COUNTY:	WAYNE
SHEET:	L1