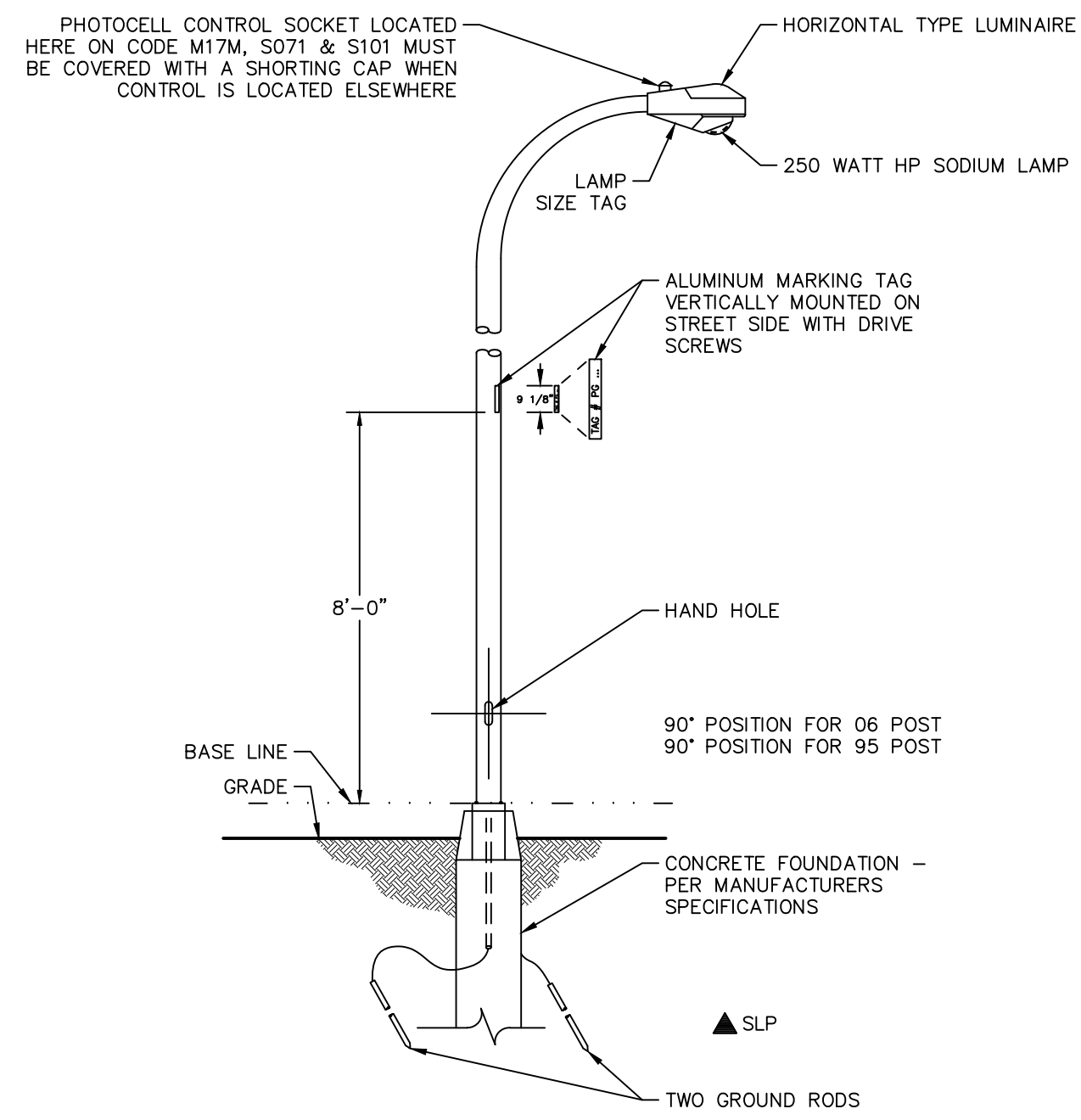
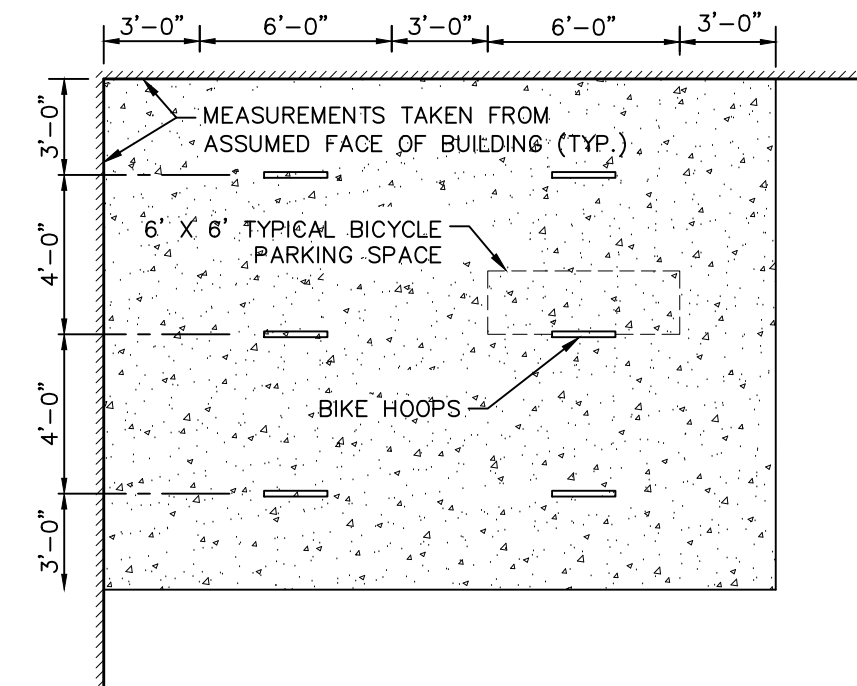
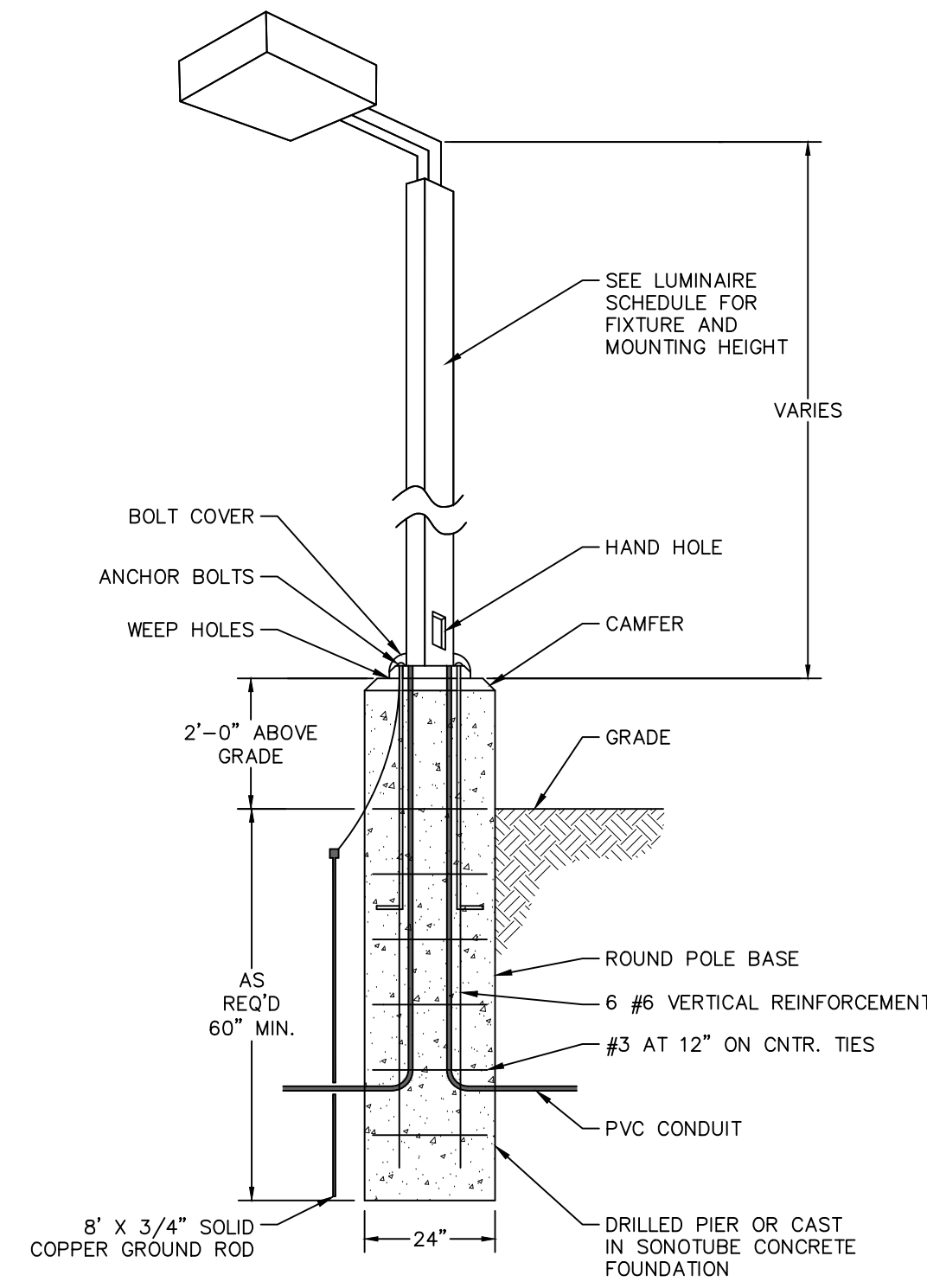


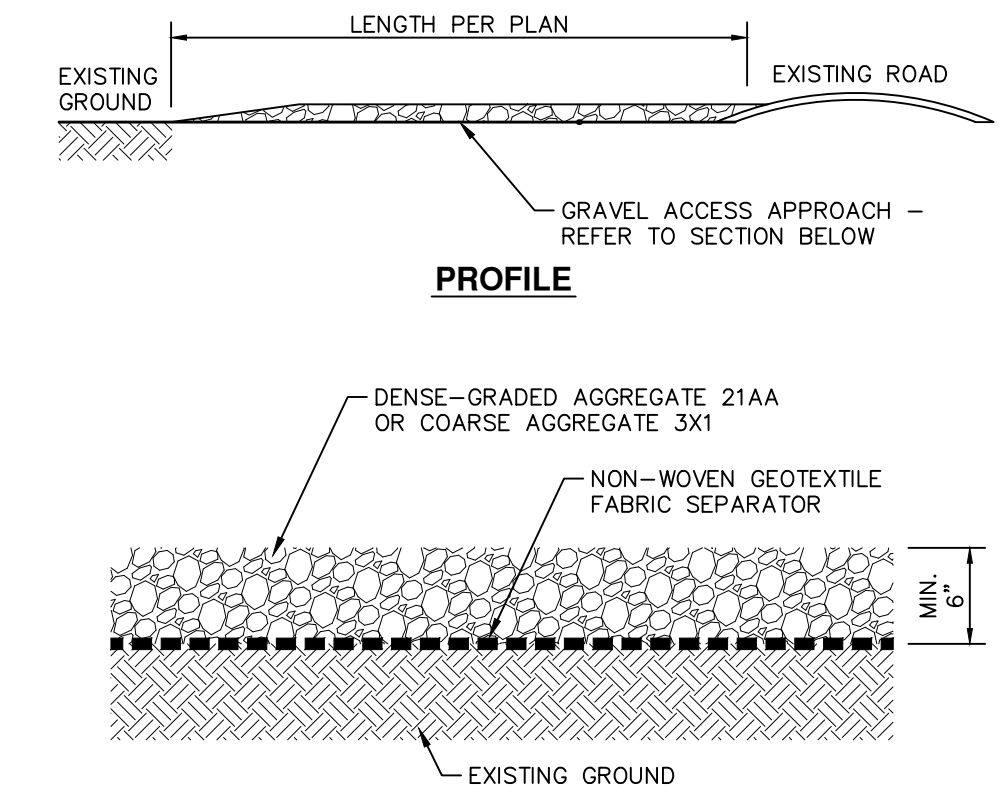
BIKE RACK - HOOP
NOT TO SCALE



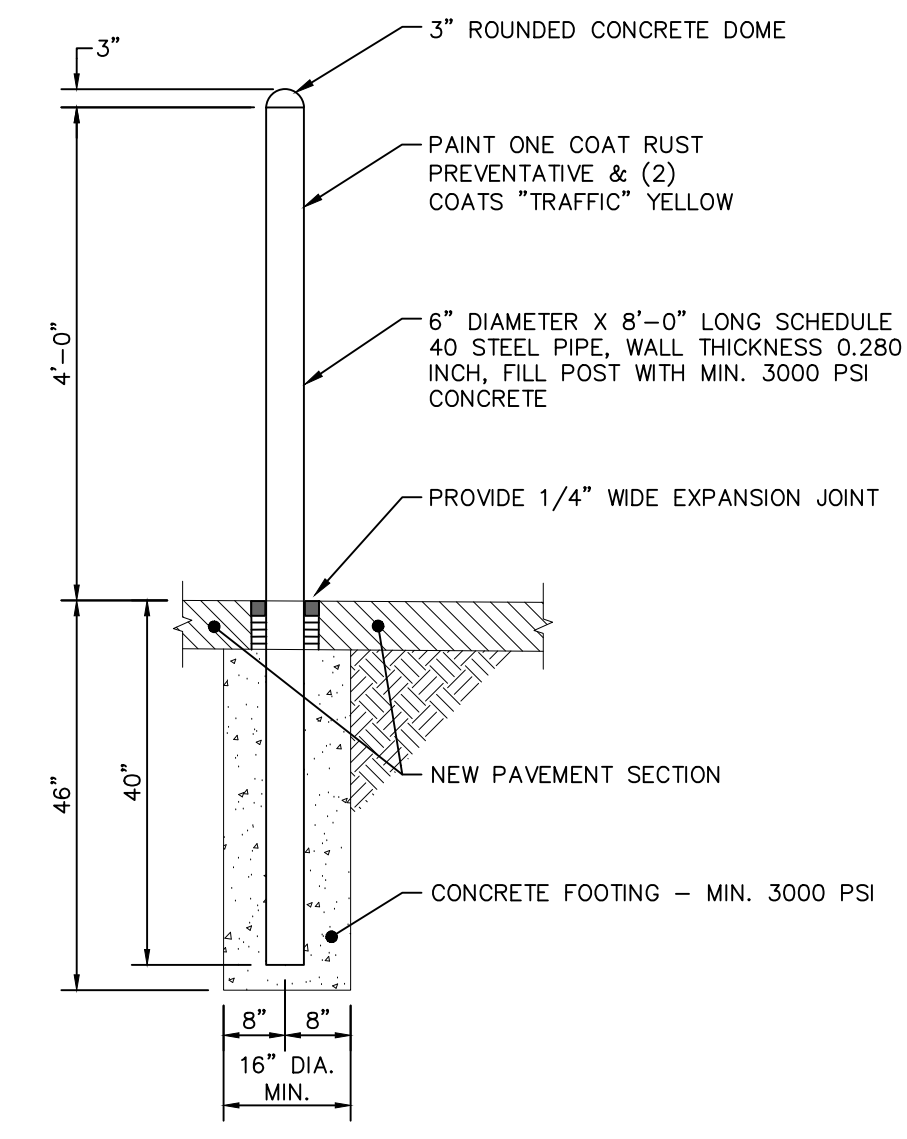
STREET LIGHT DETAIL
NOT TO SCALE



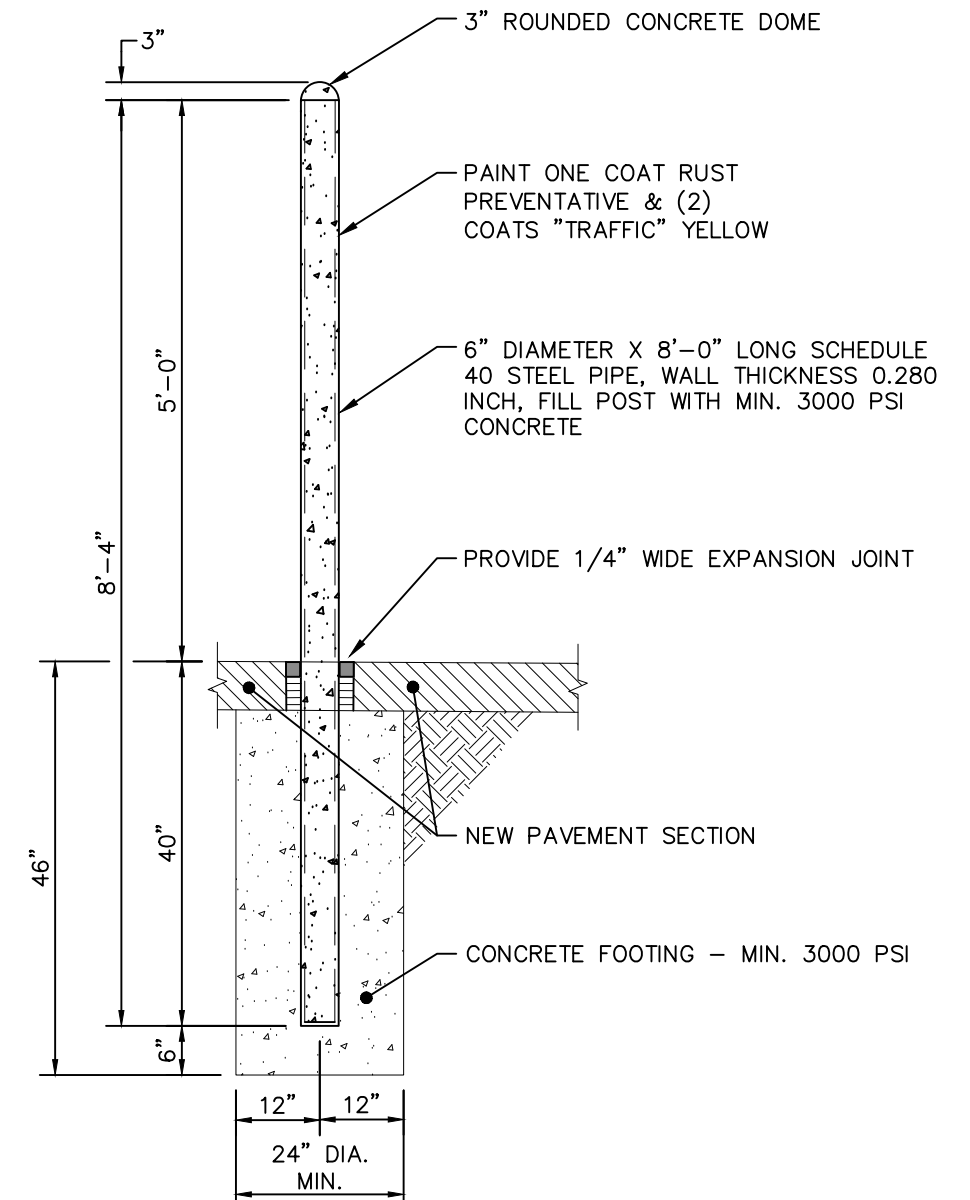
LIGHT POST DETAIL
NOT TO SCALE



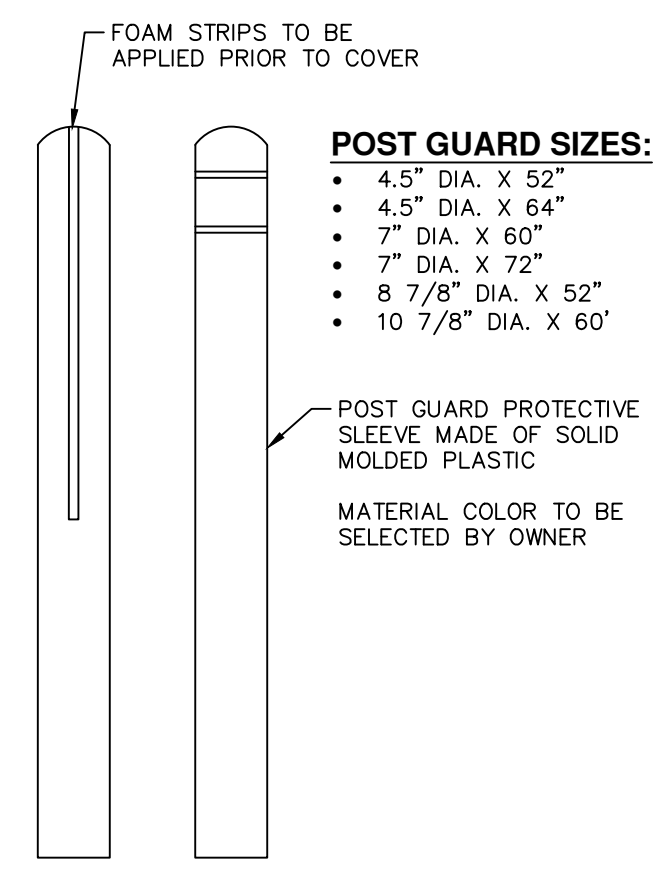
GRAVEL ACCESS APPROACH
NOT TO SCALE



STANDARD BOLLARD
NOT TO SCALE



INDUSTRIAL BOLLARD
NOT TO SCALE

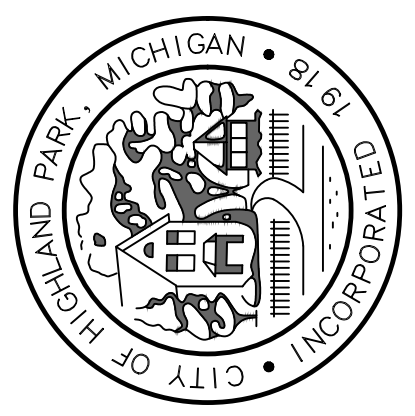


BOLLARD COVER
NOT TO SCALE

- POST GUARD SIZES:**
- 4.5" DIA. X 52"
 - 4.5" DIA. X 64"
 - 7" DIA. X 60"
 - 7" DIA. X 72"
 - 8 7/8" DIA. X 52"
 - 10 7/8" DIA. X 60"

ISSUED FOR:	
REV. DATE:	

CITY OF HIGHLAND PARK
STANDARD SITE WORK DETAILS AND NOTES
SITE WORK-1



MCA JOB #: 1039-18-8756
DATE: 03.01.2019
SCALE: AS SHOWN PER DETAIL
DRAWN BY:
METRO CONSULTING ASSOCIATES
TEL: 800.525.6016
WWW.METROCA.NET
COUNTY: WAYNE
SHEET: SW1

CONSTRUCTION SITE SAFETY IS THE RESPONSIBILITY OF THE CONTRACTOR. NEITHER THE OWNER NOR THE ENGINEER SHALL BE EXPECTED TO ASSUME ANY RESPONSIBILITY FOR SAFETY OF THE WORK, OF PERSONS ENGAGED IN THE WORK, OF ANY NEARBY STRUCTURES, OR OF ANY OTHER PERSONS.

THE LOCATIONS OF EXISTING UNDERGROUND UTILITIES ARE SHOWN IN AN APPROXIMATE WAY ONLY AND HAVE NOT BEEN INDEPENDENTLY VERIFIED. THE CONTRACTOR SHALL DETERMINE THE EXACT LOCATION OF ALL EXISTING UTILITIES BEFORE COMMENCING WORK, AND AGREES TO BE FULLY RESPONSIBLE FOR ANY AND ALL DAMAGES WHICH MIGHT BE OCCASIONED BY THE CONTRACTOR'S FAILURE TO EXACTLY LOCATE AND PRESERVE ANY AND ALL UNDERGROUND UTILITIES.

